



troubleshooting

Lights flicker when off
 Fan does not stop completely when off
 Contactor does not open when off

- Remove the link wire to disable the locating ring—see “wiring” section



ratings

Voltage 230VAC +/- 10%
 Frequency 50Hz
 Temperature 0°C to 35°C
 Power 10A
 Compliance EMC-2014/30/EU
 LVD-2014/35/EU



For further compliance information visit
www.cpelectronics.co.uk/compliance

EU registered design no. 000638069-0003, 000638069-0004

Recycling Information

According to the WEEE (2002/96) and Battery directive (2006/66), at end of the life of the product or battery, you must dispose them at an appropriate collection point.

IMPORTANT NOTICE!

This device should be installed by a qualified electrician in accordance with the latest edition of the IEE wiring regulations.



C.P. Electronics Ltd

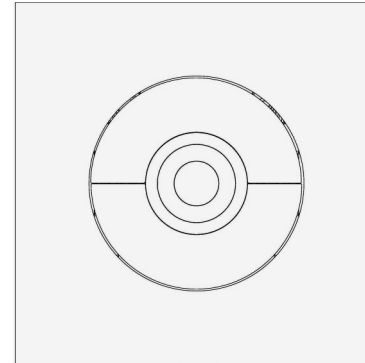
Brent Crescent
 London
 NW10 7XR
 United Kingdom
 Tel: + 44 (0) 333 900 0671
 Fax: + 44 (0) 333 900 0674
www.green-iswitches.co.uk
enquiry@green-iswitches.co.uk

Due to our policy of continual product improvement CP Electronics reserves the right to alter the specification of this product without prior notice.

Ref: #WD264 Issue 5



GITLC User Guide

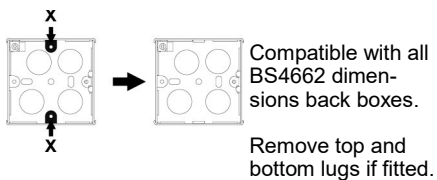


- Single gang time lag switch
- Replaces a standard light switch or dimmer
- Suitable for lighting, heating or ventilation loads
- Turns on for adjustable time period
- Illuminated locating ring
- Switches all lighting, heating and ventilation loads up to 10A



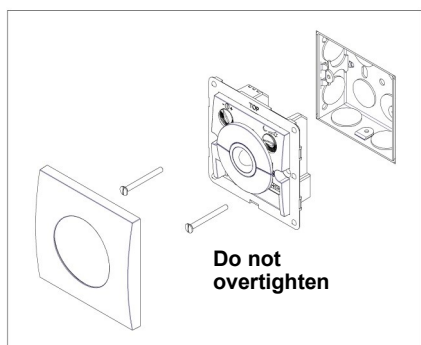
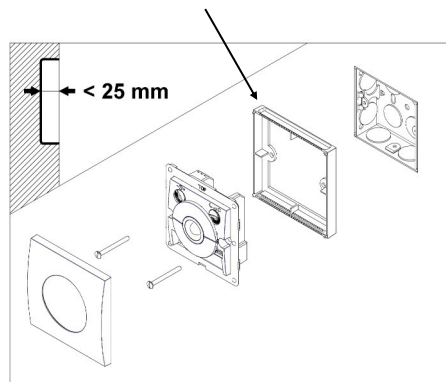
installation

This product should be installed in accordance with the current IEE wiring regulations. If in doubt consult a qualified electrician.

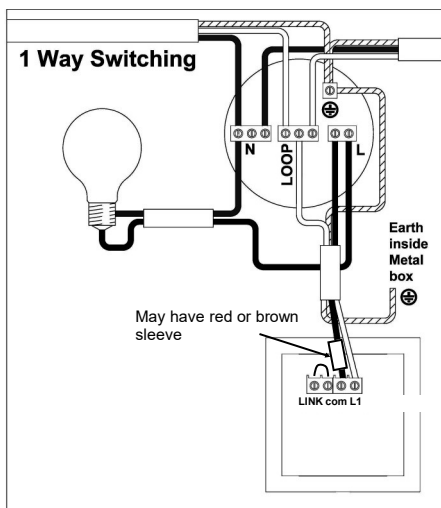


Use the extender if there is less than 25mm free space.

REMEMBER—put the wires through the extender before connecting



wiring—1 way switching



1 way switching

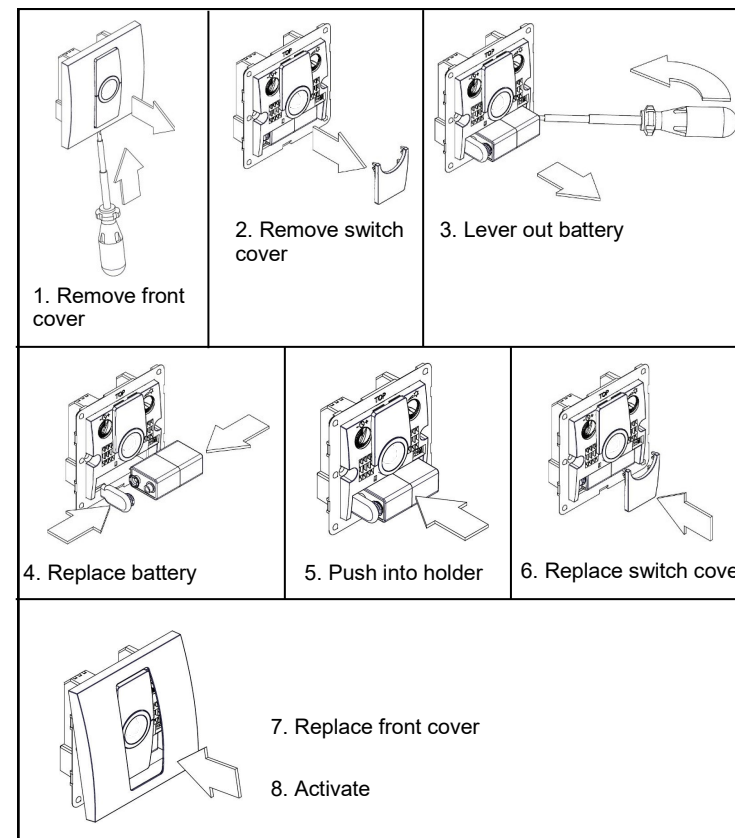
If the lights are controlled from one location only, wire as in the diagram.

Neutral		Black or Blue
Live		Red or Brown
Earth		Yellow Green
Strapper		Yellow or Grey



batteries

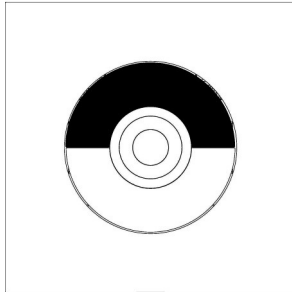
- The internal battery should last more than 5 years
- When it needs replacing, a red LED will flash on the front of the unit
- Follow the steps opposite to replace the battery
- Use only good quality, 9V alkaline batteries type PP3





activate

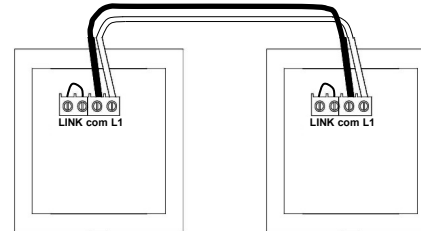
- Before using, the unit needs to be activated.
- Press and hold the top button for more than 5 seconds. The red LED will flash to indicate that has activated and the unit will now operate.
- If the unit is going to be out of use for prolonged periods (more than 6 months) it should be de-activated by repeating the procedure above with the bottom button. This will help to prolong battery life.



wiring—2 way switching

2 way switching

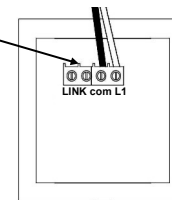
If more than one time lag switch is required to switch the lighting (e.g. At the top and bottom of a staircase) they can be wired in parallel, as in the diagram.



Locating ring

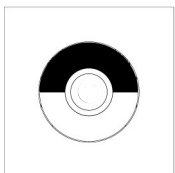
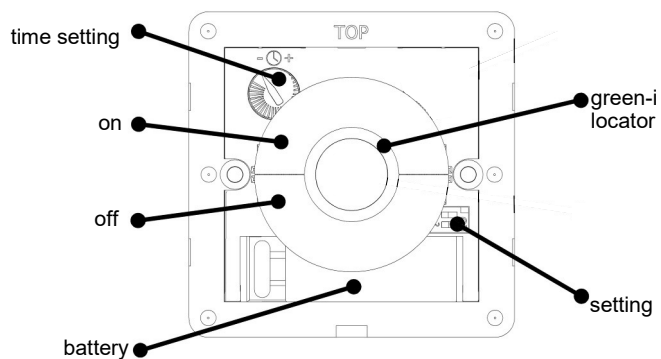
The GITL comes with an LED locating ring which is used to locate the buttons at night. If the load does not turn off properly (e.g. **lamp flickers, fan continues to run, contactor does not open**) then the LED needs to be disabled. To achieve this, remove the link as shown below.

Remove link to
disable LED
locating ring



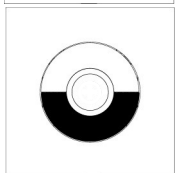


operation



Short press—lights on for time period

Press for more than 5 seconds to activate (see Activate section).



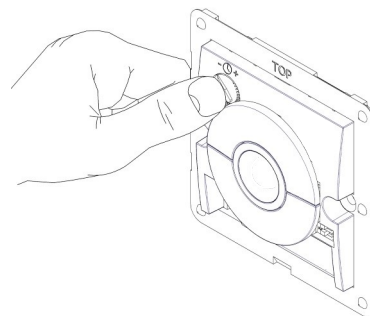
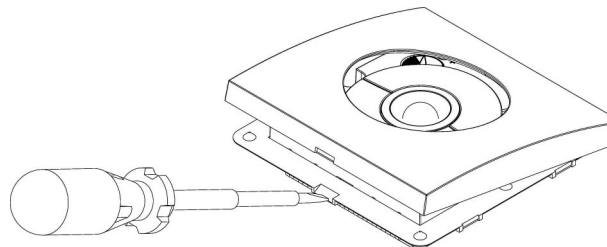
Short press—lights off

Press for more than 5 seconds to de-activate (see Activate section).



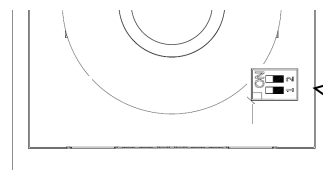
setup

Remove front cover



Time setting
(determined by switch, see below)
5 sec—15min
15min—2hour

The lights will turn off after the time setting has finished. Clockwise = longer delay.



Standard operation



Bottom button de-activated. The lights will turn off automatically, but will not turn off manually.



15min-2hour time range



5sec-15min time range